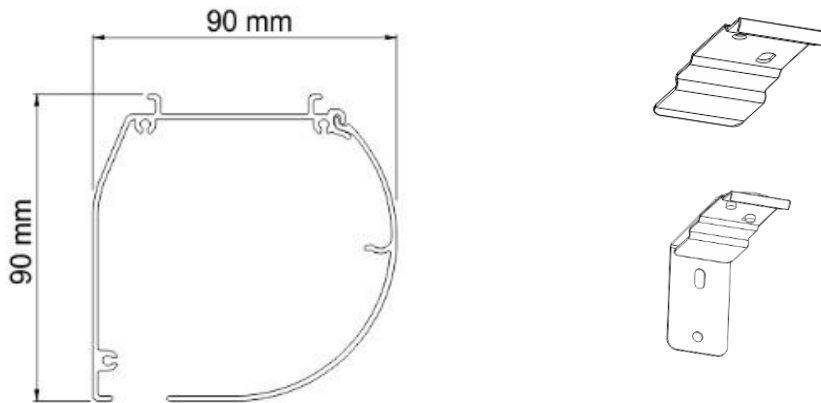


Vision remote controlled blinds - specification sheet



Pelmet - it will be automatically supplied in same colour as your doors, unless specified otherwise.



Pelmet can be "Top fixed" or "Face fixed" by using brackets

Motor kit

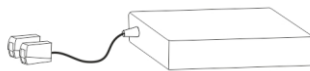
1x tubular motor

insert inside the tube and inside pelmet



1x transformer

box 110x53x30mm with wires plugged in 170x53x30mm
 Input: AC 100-240V ~ 1.8A 50-60Hz
 Output: 18-24V ---3.61 - 2.70A
 Fuse rating: T2.5A/250V



1x speaker wire

2.4m (it can be extended)
 when fitted in the wall, please leave
 at least 500mm out (end with the cube connector)



1x 240V lead

2.4m (it can be extended)



1x remote controller



Our Tip - you can wire all blinds before installation without using any of the components above. Simply chase the speaker wire (or the like) from your reveal or wherever the blinds will take place to your power source (240V wall plug or fuse spare) where the transformer (s) will take place. Transformer should be accessible at all time. Don't forget that each motor needs one transformer.